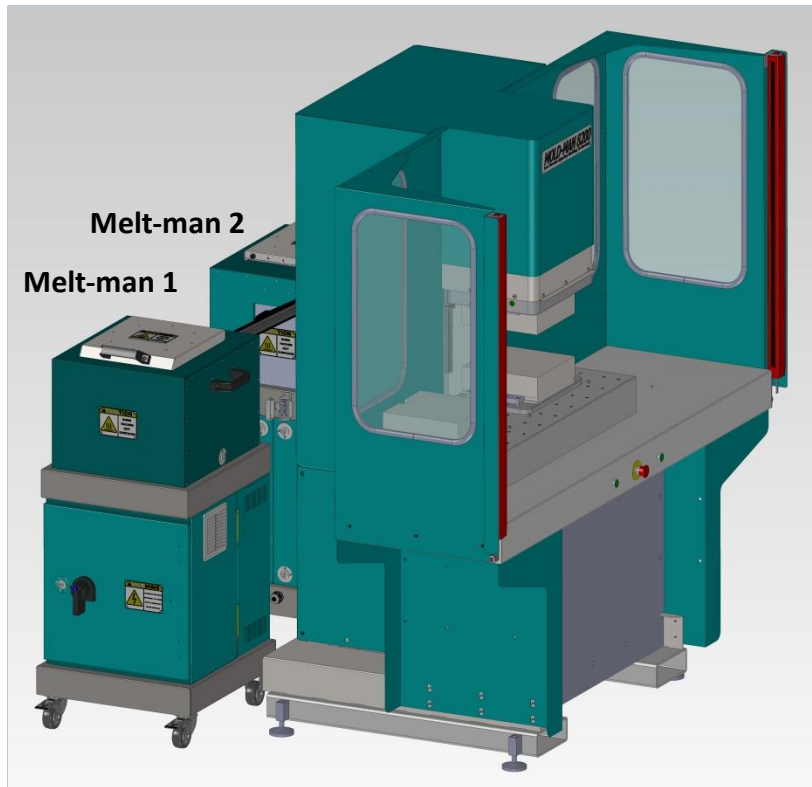


# MOLD-MAN™ 8200

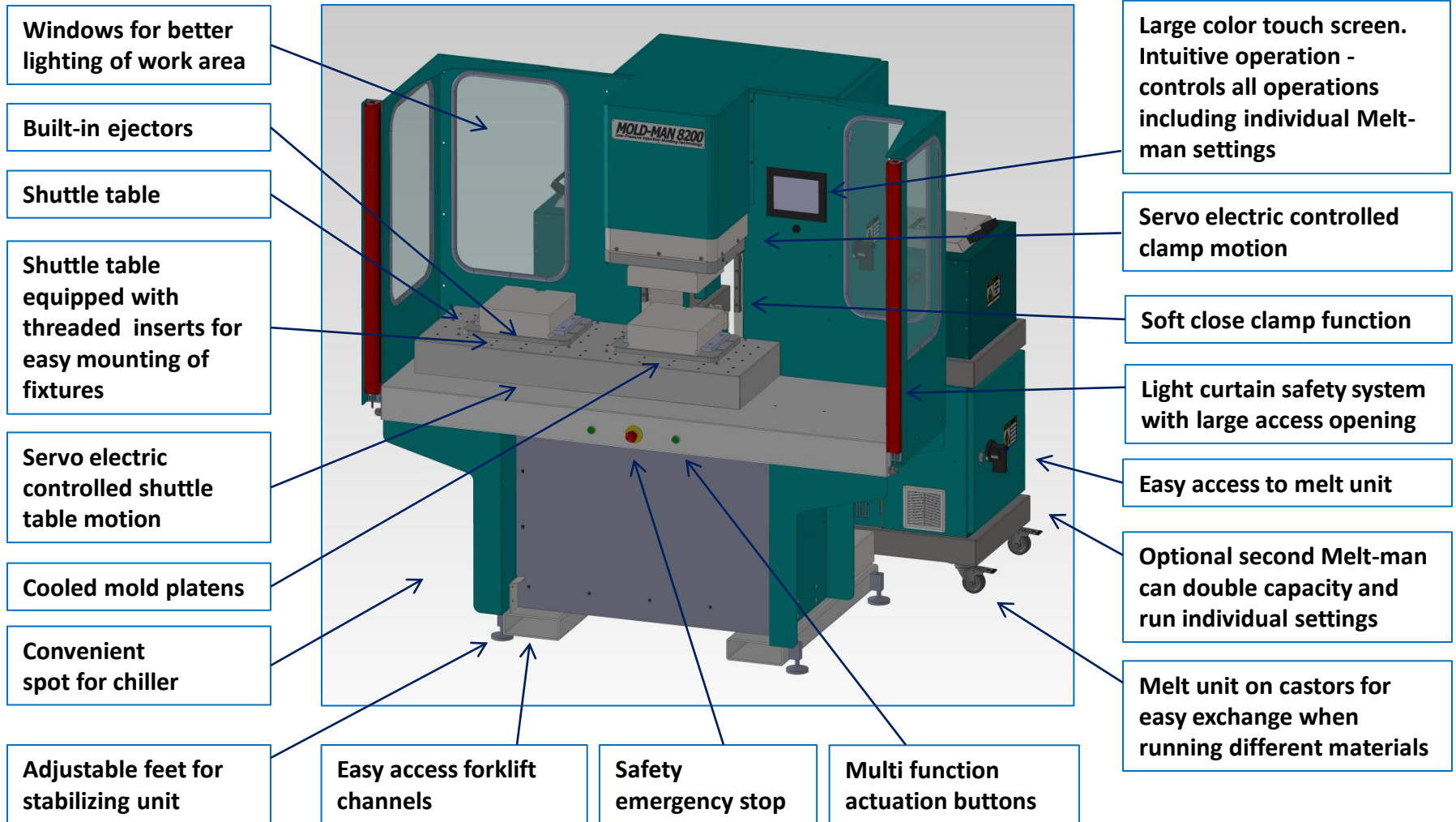
Mold-man 8200 Shuttle Table  
Low Pressure Injection Molding Machine



Moldman 8200  
Shown with optional second Melt Unit

# MOLD-MAN™ 8200

## FEATURES



# MELT-MAN

## Melt and Injection Unit for MM8200

## FEATURES



Front and Back View

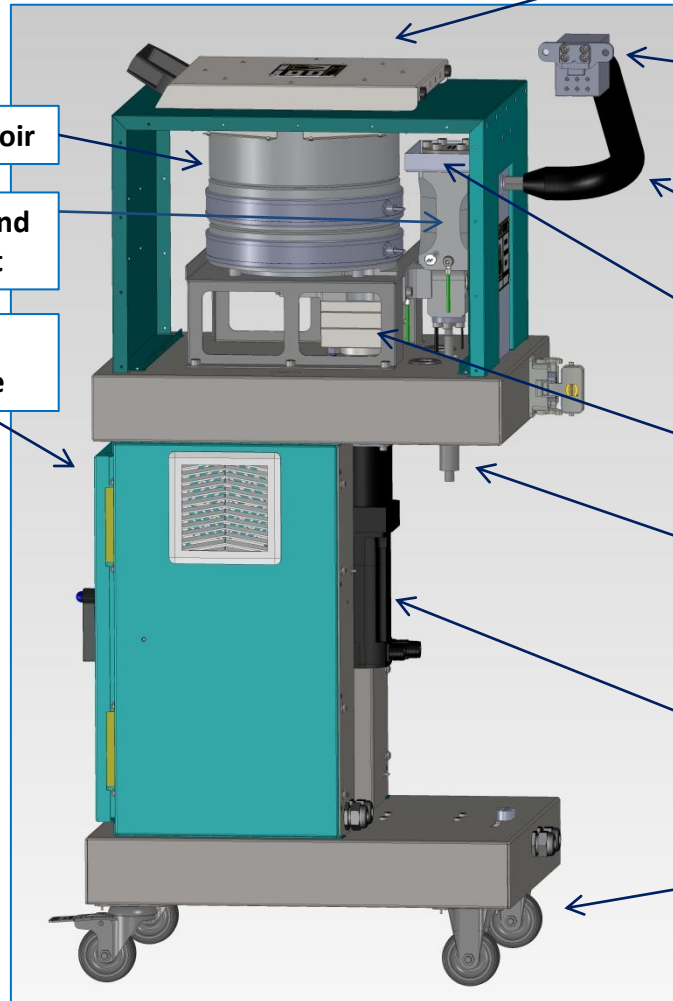


Melt reservoir

Manifold and filter unit

Electrical Enclosure

Cut-Away View



Easy access fill lid. Auto-fill mechanism optional

Permanent nozzle engagement to upper mold-half

High capacity heated hose

Easy access for filter exchange

High capacity precision gear pump

Pressure transducer for closed loop pressure control

Servo-electric pump control

Melt unit on castors for easy exchange when running different materials